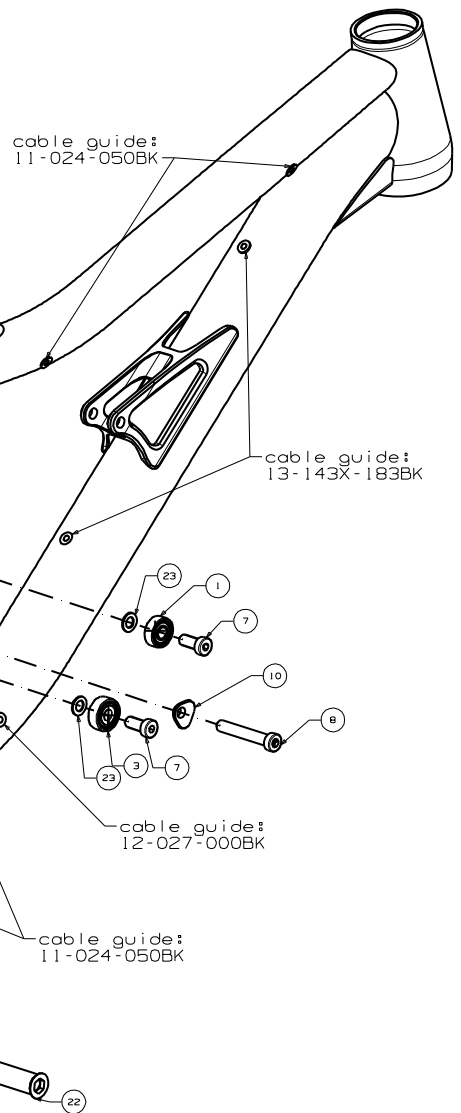


PC NO	PART NAME	DESCRIPTION	MATERIAL	QTY	ALL MOUNTAIN STATUS
1	608_2RSH	ball bearing 608 2RS		2	same as Enduro
2	61902_2RS1	ball bearing 61902 2RS		2	same as Enduro
3	628_2RS1	ball bearing 628 2RS		2	same as Enduro
4	DECKEL M6 SENKSCHRAUBE	Alutech Fanes Enduro M6 countersunk washer	AL BLK	1	same as Enduro
5	IGUS-LAGERSCHRAUBE ALUTECH	Alutech Fanes Enduro IGUS bearing bolt	AL HABLK	2	same as Enduro
6	IGUS-LAGERWELLE ALUTECH	Alutech Fanes Enduro IGUS bearing axle	AL HABLK	2	same as Enduro
7	INBUS FLACHKOPF M8X18	bolt DIN 6912 M8x18	STS RAW	4	same as Enduro
8	INBUS FLACHKOPF M8X50	bolt DIN 6912 M8x50	STS RAW	1	same as Enduro
9	INLET GEWINDE	Alutech Fanes Enduro rocker inlay left side	AL BLK	1	same as Enduro
10	INLET SCHRAUBENKOPF	Alutech Fanes Enduro rocker inlay right side	AL BLK	1	same as Enduro
11	JFM_1416_5_1_STP	plastic bearing IGUS JFM-1416-5-1		4	same as Enduro
12	PASSSCHEIBE DIN 988 15X21X1	shim DIN 988 15x21x1	STS RAW	2	same as Enduro
13	SENKKOPF M5X14	countersunk bolt DIN 7991 (ISO 10642) M5x14	STS RAW	4	not used on All Mountain
14	SENKSCHRAUBE M6X20	countersunk bolt DIN 7991 (ISO 10642) M6x20	STS RAW	1	same as Enduro
15	142X12 AUF 135X12 ADAPTER	Alutech Fanes Enduro dropout adaptor 142x12 to 135x12	AL BLK	2	not used on All Mountain
16	AUSFALLENDEN ANSCHRAUBTEIL	Alutech Fanes Enduro dropout inlay with hanger 142x12	AL BLK	1	not used on All Mountain
17	AUSFALLENDEN ANSCHRAUBTEIL POSTMOUNT	Alutech Fanes Enduro dropout inlay with postmount 7"	AL BLK	1	not used on All Mountain
18	AUSFALLENDEN INLET D12 H7	Alutech Fanes Enduro dropout inlay left side out d12 H7	AL BLK	1	not used on All Mountain
19	AUSFALLENDEN INLET M12X1.75	Alutech Fanes Enduro dropout inlay right side out M12x1.75	AL BLK	1	not used on All Mountain
20	INBUS M6X20	bolt DIN 912 M6x20	STS RAW	1	not used on All Mountain
21	SENKSCHRAUBE M3X6	countersunk bolt DIN 7991 (ISO 10642) M3x6	STS RAW	2	not used on All Mountain
22	WELLE HAUPTLAGER ALUTECH 15MM	Alutech Fanes Enduro chain stay yoke axle	AL HABLK	1	same as Enduro
23	PASSSCHEIBE DIN 988 8X14X1	shim DIN 988 8x14x1	STS RAW	4	same as Enduro
24	MADENSCHRAUBE_M6X20	set screw DIN 913 M6x20	STS RAW	2	not used on All Mountain
25	Kabelfuehrung 3-1	cable guide 13-143X-183BK		2	same as Enduro
26	Kabelfuehrung 2-1	cable guide 12-027-000BK		1	same as Enduro
27	Kabelfuehrung 1-1	cable guide 11-024-050BK		4	same as Enduro



PC NO	Additional All Mountain parts	DESCRIPTION	MATERIAL	QTY
28	All Mountain hanger	hanger for All Mountain frame	AL BLK	1
29	hanger bolts	countersunk bolt DIN 7991 M5x14	STS RAW	2

shortcuts for material:  
AL BLK : alloy (AL 7005 or stronger) anodized black  
AL HABLK : alloy AL 7075 hard anodized black  
STS RAW : stainless steel raw

NOTE:  
1. All Mountain and Enduro rockers are the same except for the additional windows on All Mountain rockers.  
2. All Mountain will use carbon seat stay and another hanger - parts list update will follow

